

www.endoscoperepair.com

1800Endoscope.com LLC



Introducing the 1800VETCAM

What are the two main challenges preventing veterinarians from entering video endoscopy?

1. The cost of the newest technology – Usually \$15,000 and up!
2. Portability – Almost all current solutions are office-based only.



Lightweight and Easy to Use

Now there is a solution that takes both of those challenges and makes them a thing of the past. The 1800VETCAM.

How does it work and what do I need?

The 1800VETCAM is simply attached to a C-Mount coupler and then onto your fiberscope (Some fiberscopes require an additional low-cost adapter). Install the software once, plug it into your USB 2.0 Laptop and you are ready to go. Have more than one laptop or PC? No problem, the 1800VETCAM remembers your settings regardless of what computer it is attached to.

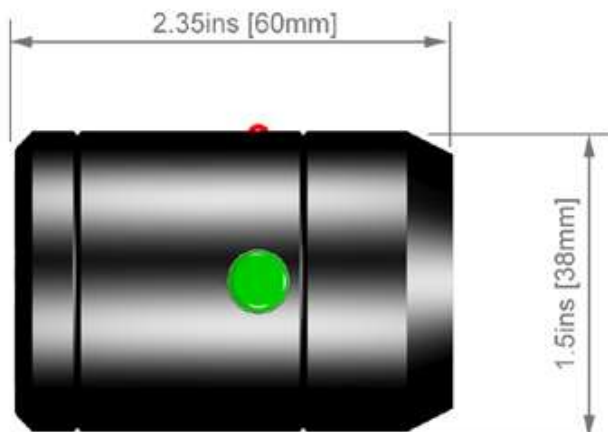
What features are offered?

The following features are all standard:

White Balance – Auto / Manual
AGC – Auto / Manual
Exposure – Manual / Auto
Flat Field Correction

Freeze (One-Touch Button)
Capture
Annotate
Export /Email

This new solution is among the latest technology in veterinarian video endoscopy and represents a turning point in price, quality, and functionality that has never before been seen.



1800VETCAM - Not only good, but small too...

Priced from \$1499.00

Contact 1800Endoscope.com LLC
for more details.

Phone: 941-792-7138

Fax: 941-761-4613

sales@1800endoscope.com

Visit our website at:
www.1800Endoscope.com